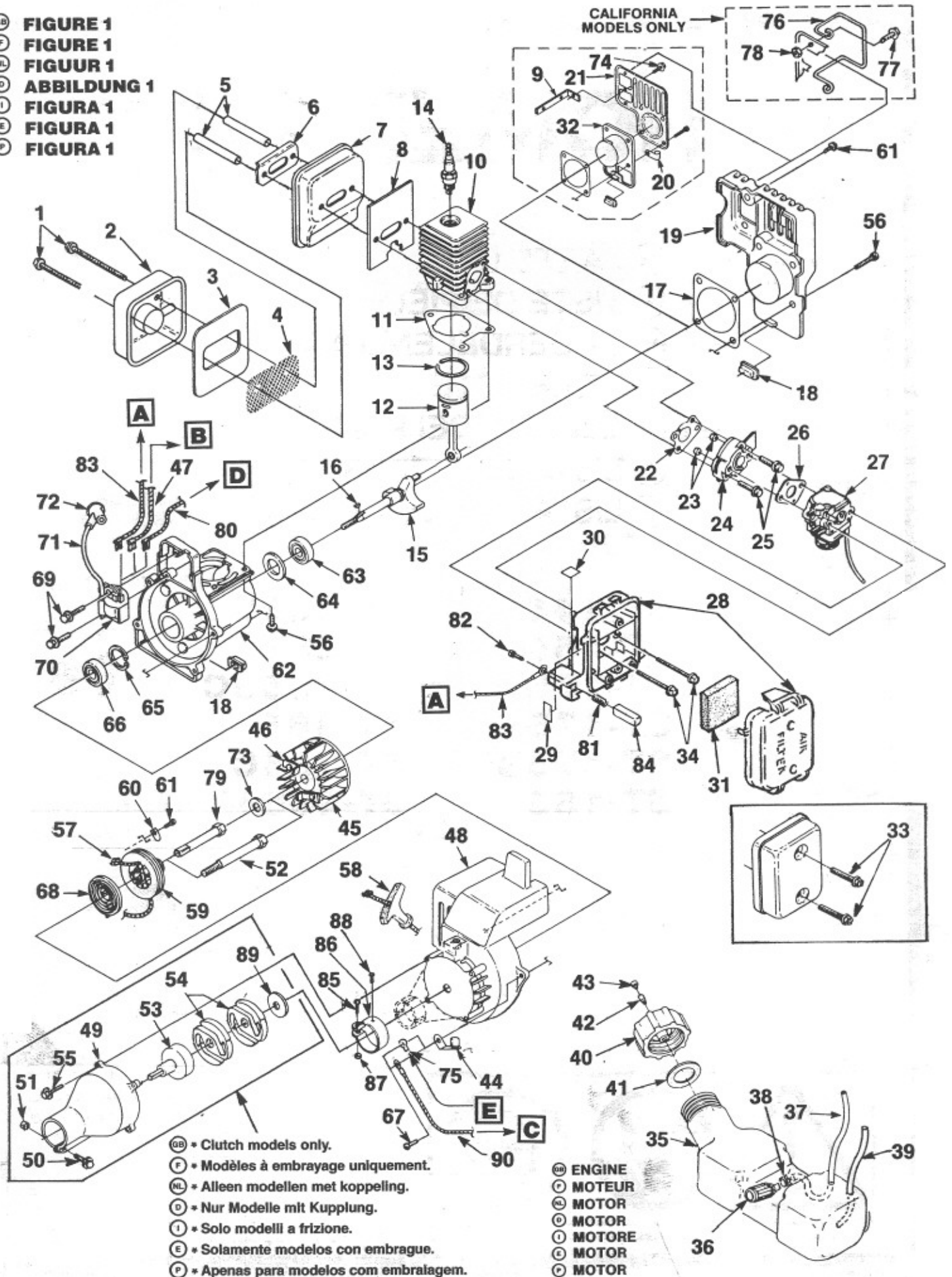


(BB) FIGURE 1
 (F) FIGURE 1
 (NL) FIGUUR 1
 (D) ABBILDUNG 1
 (I) FIGURA 1
 (E) FIGURA 1
 (C) FIGURA 1



No. N° Nr. Nr. N° No. N°	Description	Part No. Pièce N° Stuknummer Tell Nr. Pezzo N° No. de pieza N° da peça	Qty. Quantité Aantal Menge Quantità Cantidad Quantidade	No. N° Nr. Nr. N° No. N°	Description	Part No. Pièce N° Stuknummer Tell Nr. Pezzo N° No. de pieza N° da peça	Qty. Quantité Aantal Menge Quantità Cantidad Quantidade
1	SCREW- (10-24 x 2 1/2")	88060	2	49	TUBE ADAPTOR	A-02396	1
2	COVER- Muffler	A-98780	1		Includes:		
3	BAFFLE- Muffler	98782	1	50	SCREW- (10-24 x 1 1/4")	88054	1
4	SCREEN- Spark	98784-A	1	51	NUT (10-24)	81208	1
5	SPACER- Muffler	98860-A	2	52	ADAPTOR- Clutch (Clutch Models Only)	01547	1
6	PLATE- Reinforcing	98783	1	53	CONNECTOR & DRUM	A-02727	1
7	BODY- Muffler	A-01323	1	54	CLUTCH	00242	2
8	GASKET- Muffler	98786-A	1	55	SCREW (10-24 x 7/8")	88052	4
9	BRACKET- (see note 2)*	00179	1	56	SCREW (10-24 x 3/4")	82538	8
10	CYLINDER	A-00108	1	57	ROPE- Starter (42", #3 1/2)	00715	1
	Includes:			58	GRIP- Starter	02264	1
11	CYLINDER- Gasket	98764	1	59	PULLEY- Starter	98770	1
12	PISTON & ROD ASSEMBLY	A-01036-A	1	60	BRACKET- Retaining	98791	1
	Includes:			61	SCREW- Plastite (10 x 1/2")	82541	2
13	RING- Piston	96935	1	62	CRANKCASE ASSEMBLY	A-00107	1
14	SPARK PLUG (DJ7Y)	96169-S	1		Includes:		
15	CRANKSHAFT (Models 145 & 155)	98758-2	1	63	BEARING- Ball	98797	1
	CRANKSHAFT (Models 175, 175C, 185, 185C, 285, 285C)	98758-4	1	64	SEAL	98800	1
	CRANKSHAFT (Models 175BC, 385, 385C, 485)	98758-3	1	65	RING- Retaining	98799	1
16	KEY- Woodruff	69250	1	66	BALL- Bearing	98798	1
17	GASKET- Crankcase cover	98767-A	1	67	SCREW- Taptite (10-24 x 7/8")	82538	5
18	BUMPER- Rubber	98792	3	68	SPRING & CONTAINER	A-98773	1
19	COVER- Crankcase	01023-A	1	69	SCREW- Taptite (8-32 x 1")	82540	2
20	CLAMP (see note 2)*	98752	1	70	MODULE- Ignition	94711-BS	1
21	SHIELD (see note 2)*	98934	1		Includes:		
22	GASKET- Heat dam	98765-B	1	71	LEAD- High Tension	69326	1
23	NUT (10-24)	81208	2	72	TERMINAL- High Tension	A-33055	1
24	HEAT DAM	98768	1	73	WASHER- Flat (5/16") (Non-Clutch Models)	84065	1
25	SCREW- Taptite (10-24 x 1")	82549	2	74	SCREW- Hex sems (10-24 x 3/8") (see note 2)*	88077	1
26	GASKET- Carburetor	98766-A	1	75	TERMINAL (Models 385— UT15040B, UT15040C, & UT15040D) (Model 485)	00719	1
27	CARBURETOR- (Zama) 8720293	A-03003	1	76	WIRE GUARD KIT (California Models Only)	A-00254	1
	CARBURETOR- (Walbro) 8720227	A-03002	1		Includes:		
28	AIR FILTER BOX	A-01440-A	1	77	SCREW- Hex sems (10-24 x 1/2")	88049	2
	Includes:			78	NUT (10-24)	81208	2
29	DECAL- Choke, Run	00772	1	79	CONNECTOR- Drive (Non Clutch Models)	98795	1
30	DECAL- Push-Hold	98943	1	80	LEAD- Electrical (Models 385— UT15040B, UT15040C & 15040D) & (Model 485)	A-00681	1
31	FILTER- Air	D-98760-A	1	81	SPRING- Compression	95020	1
32	COVER- Crankcase (see note 2)*	98754	1	82	SCREW (#6 plastite)	93923	1
33	SCREW- Plastite (8 x 3/4") *	82368	2	83	LEAD- Electrical (Models 145, 155, 175, 175C & 285)	A-98809	1
34	SCREW- (10-24 x 2 1/4")	82542	2	84	BUTTON- Switch	98769	1
35	TANK- Fuel	A-01441	1	85	SCREW- Hex sems (10-24 x 3/8")	82268	1
	Includes:			86	CLAMP	98802-A	1
36	FILTER- Fuel	49422	1	87	NUT- Square	97574	1
37	TUBING- Rubber 7"	94772-32	1	88	SCREW	82522	1
38	WIRE CLAMP	98268	1	89	WASHER- Flat	98929-A	1
39	TUBING- Rubber (3")	01439-32	1	90	LEAD- Ground (Model 185) & (Models 385— UT15040 & UT15040A)	A-98919	1
40	FUEL CAP ASSEMBLY	A-00982	1				
	Includes:						
41	GASKET- Fuel cap	98805	1				
42	VALVE- Filter	98819	1				
43	FILTER- Cap	98913	1				
44	BRACKET- Cable	A-98808	1				
45	ROTOR	A-95007	1				
	Includes:						
46	KIT- Starter pawl	A-70285-E	1				
47	LEAD- Electrical (Models 175BC, 185, 185C, 285BC, 385- UT15040 & UT10540A)	A-98919	1				
48	HOUSING- Engine (Clutch Models Only)	A-02576-A	1				
	HOUSING- Engine (Non-Clutch Models)	A-02575	1				

Ⓒ • Assemblies

Ⓕ • Ensembles

Ⓜ • Assemblages

Ⓝ • Bausätze

Ⓛ • Complessi

Ⓔ • Conjuntos

Ⓒ • Conjuntos

Ⓒ • See NOTES for FIGURE 1 on page 11.

Ⓕ • Voir NOTES pour la FIGURE 1, page 11.

Ⓜ • Zie N.B.'s voor FIGUUR 1 op blz. 11.

Ⓝ • Siehe HINWEISE zu ABBILDUNG 1 auf Seite 11.

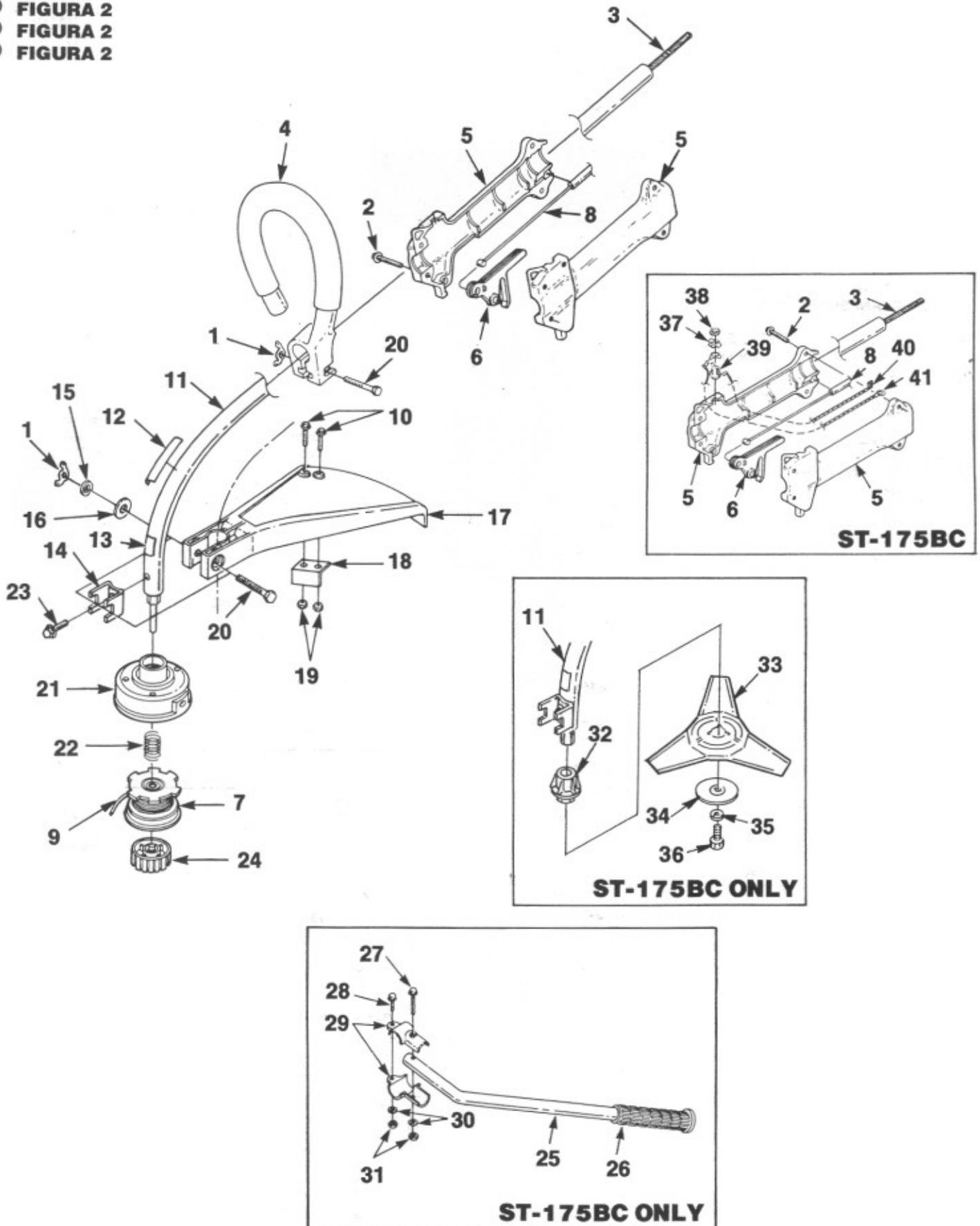
Ⓛ • Vedi NOTE per la FIGURA 1 a pagina 11.

Ⓔ • Ver las NOTAS para FIGURA 1 en la página 11.

Ⓒ • Consultar as NOTAS da FIGURA 1 na página 11.

- Ⓜ **FIGURE 2**
- Ⓟ **FIGURE 2**
- Ⓝ **FIGUUR 2**
- Ⓛ **ABBILDUNG 2**
- Ⓜ **FIGURA 2**
- Ⓧ **FIGURA 2**
- Ⓟ **FIGURA 2**

ST-145, ST-155, ST-175, ST-175C, ST-175BC



No. N° Nr. Nr. N° No. N°	Description	Part No. Pièce N° Stuknummer Teil Nr. Pezzo N° No. de pieza N° da peça	Qty. Quantité Aantal Menge Quantità Cantidad Quantidade	No. N° Nr. Nr. N° No. N°	Description	Part No. Pièce N° Stuknummer Teil Nr. Pezzo N° No. de pieza N° da peça	Qty. Quantité Aantal Menge Quantità Cantidad Quantidade
1	NUT- Wing	93992	2	18	BLADE- Cut-off (Models 145 & 155)	98857	1
2	SCREW- Plastite (#8 x 3/4")	82368	7		BLADE- Cut-off	00117	1
3	SHAFT- Flexible	98816	1		(Models 175 & 175C, ST-175BC)		
4	HANDLE- Front	A-98525	1	19	NUT (10-24)	81208	2
5	HANDLE GRIP ASSEMBLY	A-00879	1	20	SCREW (1/4-20 x 2")	80295	2
	Includes:			21	HOUSING & EYELET- Dual line	A-98231-A	1
6	TRIGGER	98772-A	1	22	SPRING- Compression	98848	1
7	SPOOL & STRING	DA-98911-A	1	23	SCREW (10-24 x 1/2")	82511	1
	(ST-155) (Note 1)			24	RETAINER- Spool	A-98866-A	1
	SPOOL & STRING (Note 1)	DA-98912-B	1		(R.H. Threaded)		
	(Dual Line)				RETAINER- Spool (ST-175BC)	A-02781	1
8	CABLE- Throttle	A-03006	1	25	HANDLE BAR (ST-175BC)	A-97709-A	1
9	LINE- Replacement	DA-97952-B	1		Includes:		
	(.080 Dia.) (100 Ft.)			26	GRIP (ST-175BC)	94474-B	1
10	SCREW (10-24 x 1")	82531	2	27	SCREW	88071	1
11	HOUSING- Drive shaft	A-00104-A	1	28	SCREW	88078	1
	Includes:			29	CLAMP	00422	2
12	DECAL	98923-1	1	30	WASHER	83061	2
13	DECAL- Warning	00308	1	31	NUT	81267	2
14	CLAMP	98853	1	32	ADAPTOR	02617	1
	HOUSING- Drive shaft	A-02720	1	33	BLADE- Weed	02616	1
	(ST-175BC Only)			34	WASHER- Cupped	00580	1
	Includes:			35	WASHER	83030	1
	DECAL (ST-175BC Only)	00588	1	36	SCREW	80085	1
	DECAL- Warning	02985	1	37	PLATE- Indicating	95231	1
	(ST-175BC Only)			38	NUT	72084-A1	1
	CLAMP (ST-175BC Only)	98853	1	39	SWITCH- Toggle	93653	1
	DECAL- Instr. (ST-175BC Only)	98924-1	1	40	LEAD- Electrical	A-98918	1
	(Not Shown)			41	LEAD- Ground	A-98919	1
15	LOCKWASHER (1/4")	83009	1				
16	WASHER- Flat (1/4")	84006	1				
17	DEFLECTOR- Grass	98821	1				
	DEFLECTOR- Grass (ST-175BC)	02610	1				

- Ⓐ • Assemblies
- Ⓕ • Ensembles
- Ⓜ • Assemblages
- Ⓓ • Bausätze
- Ⓘ • Complessi
- Ⓔ • Conjuntos
- Ⓟ • Conjuntos

- Ⓖ NOTE 1 for FIGURE 2: ST-155 with single line — use DA 98911 replacement string.
- Ⓕ NOTE 1 pour la FIGURE 2 : ST-155 équipé d'une seule ficelle — utiliser la ficelle de rechange DA 98911.
- Ⓜ N.B. 1 voor FIGUUR 2: ST-155 met enkele draad — gebruik vervangdraad DA 98911.
- Ⓓ HINWEIS 1 zu ABBILDUNG 2: ST-155 mit einfacher Fadenführung — DA 98911 Ersatzfaden benutzen.
- Ⓘ NOTA 1 per la FIGURA 2: ST-155 a corda singola — usare la corda sostitutiva DA 98911.
- Ⓔ NOTA 1 para FIGURA 2: ST-155 de cuerda única — usar la cuerda de repuesto DA 98911.
- Ⓟ NOTA 1 da FIGURA 2: ST-155 com uma única linha — usar o fio de substituição DA 98911.